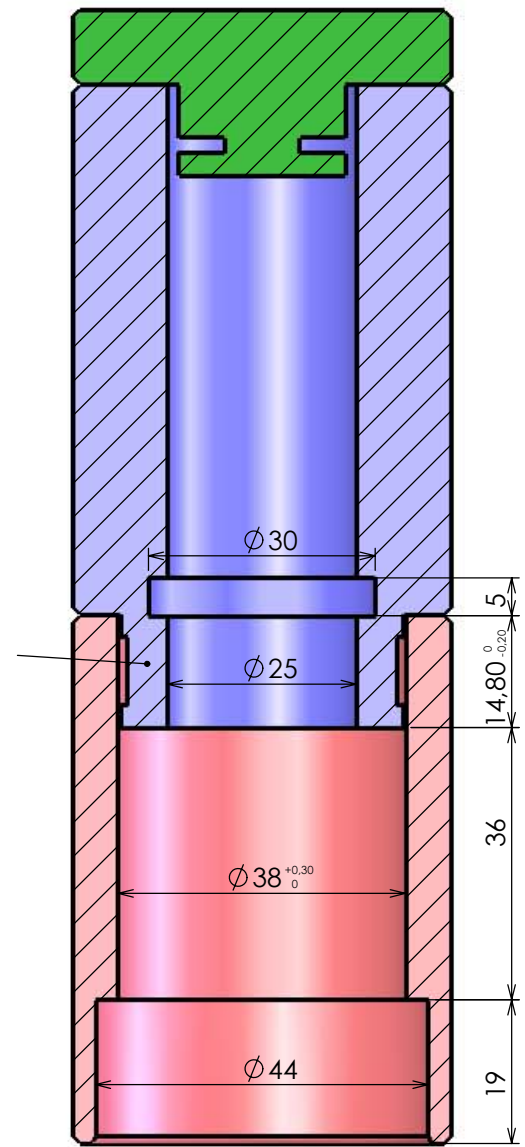
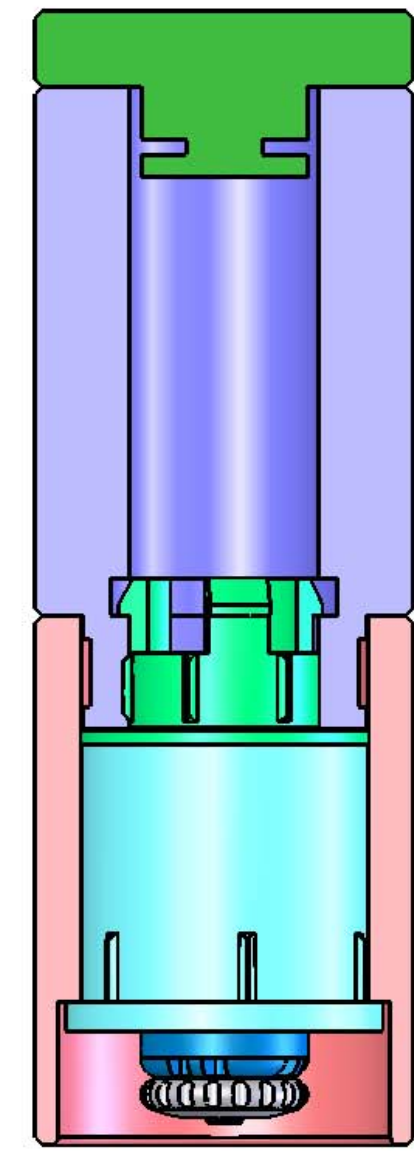


Kupplung  
≡ Länge  
Zapfen  
innen



F-F



UNLESS OTHERWISE SPECIFIED: DIMENSIONS ARE IN MILLIMETERS SURFACE FINISH: TOLERANCES: LINEAR: ANGULAR:			FINISH:	DEBUR AND BREAK SHARP EDGES	DO NOT SCALE DRAWING	REVISION
NAME	SIGNATURE	DATE			TITLE:	
DRAWN						
CHK'D						
APPV'D						
MFG						
G.A			MATERIAL:		DWG NO.	CrushGrindWOOD
			WEIGHT:		SCALE:1:1	SHEET 4 OF 4